

4820 / 4821 Junior Paddle Latch

Features

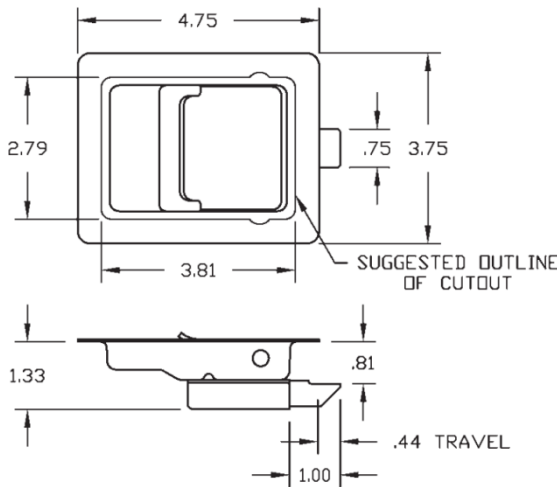
- Key or non-key locking slam latch for single-point engagement
- Easily operated by pulling the handle outward
- For locking models, key cylinder is recessed in the receptacle pan
- This provides additional protection to the key cylinder

Material

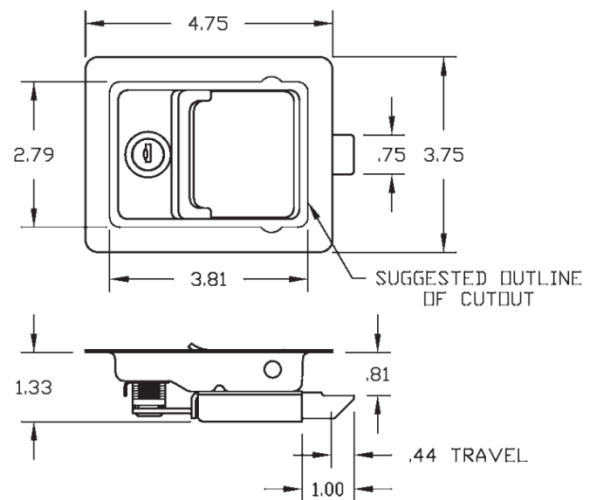
- Carbon steel, plain finish or zinc plated

Notes

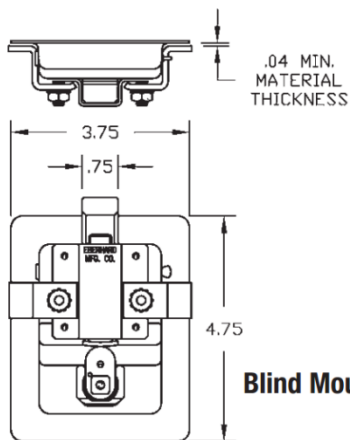
- Many variants available, including with or without mounting holes or with inside release options



4820



4821



Blind Mount

Part No.	Type	Variations
4820	Non Locking	Without mounting holes
1-4820		Inside release, without mounting holes
3-4820		Four 13/64" dia. mounting holes on 3" x 3-5/16" centres
4821	Key Locking	Without mounting holes
1-4821		Inside release, without mounting holes
3-4821		Four 13/64" dia. mounting holes on 3" x 3-5/16" centres

Dimensions in inches